

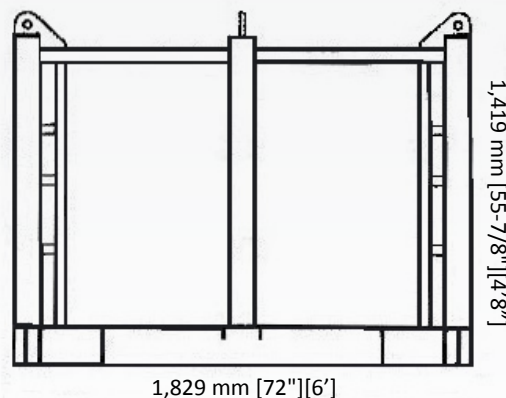
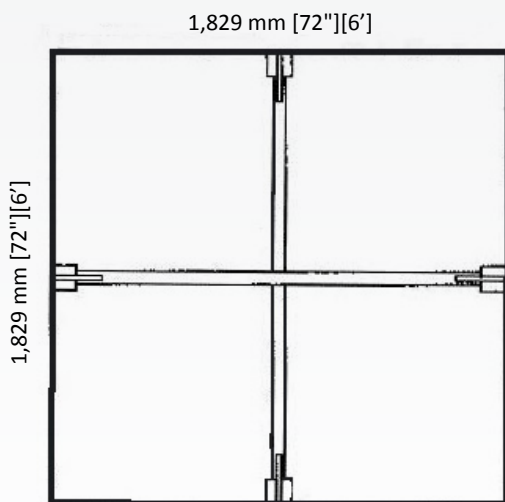
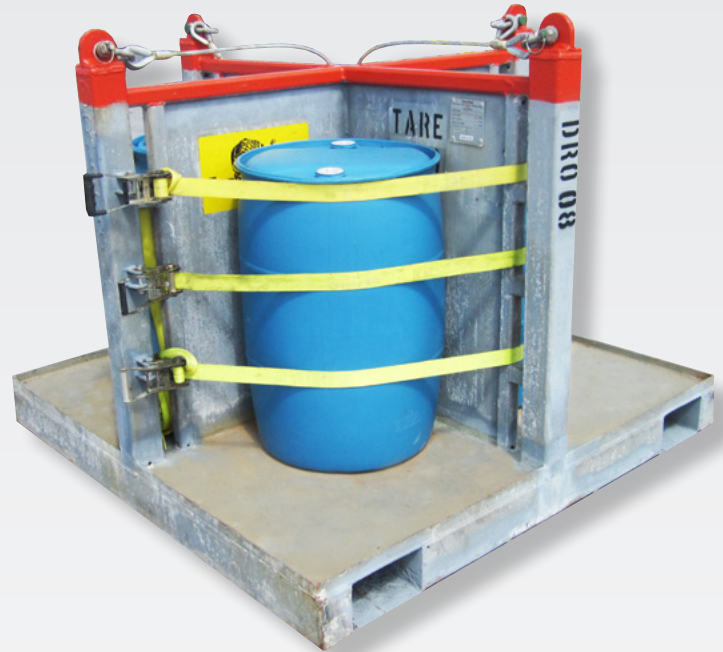
Drum Rack



COMMON USES: *Secure transport and storage of single and multiple separate packages of normal drummed fluids or solids.*

SPECIFICATIONS

- Designed for offshore dynamic lifting in accordance with the provisions of API RP 2A and SEPco document OPS0055
- Est. Tare weight: 1,940 LBS. [880 KG]
- Max gross weight: 4,000 LBS. [1,814 KG]
- Pay Load Weight: 2,059 LBS. [934 KG]
- Fork liftable from two sides
- 6' x 10' forklift pockets
- Drip pan
- 3" ratchet strap to secure cargo
- Four-Punched lift eyes tested to two times MGW
- External Dimensions:
 - Width: 1,829 mm [72"][6']
 - Length: 1,829 mm [72"][6']
 - Height: 1,419 mm [55-7/8"][4'8"]



Make it happen.

www.TigerOffshoreRentals.com | 24/7 Dispatch 1.877.844.3791