

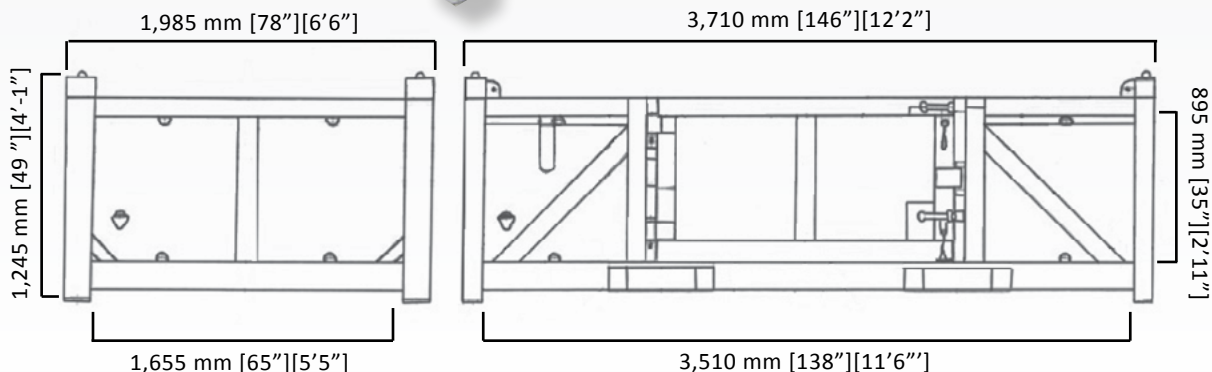
# 6' x 12' DNV 2.7-1 Basket with Side Door



**COMMON USES:** The 6'x12' DNV 2.7-1 basket with side door can be used for a variety of materials, including but not limited to tools, pipe, construction supplies, scrap and bulk waste products. The side door provides an opening which allows forklift loading and unloading. This reduces time and labor compared with conventional hand loading or crane loading techniques.

## SPECIFICATIONS:

- Designed, tested, constructed, inspected with offshore identification markings to DNV 2.7-1, API RP 2A Sec. 2.4.2 C&D, SEPco Document OPS 0055, IMO 860, EN 12079
- Third-party certification on design, testing, construction and inspection
- Design Temperature is -20C
- Built in tie down rings
- Stackable with Sling Connected
- Internal Dimensions:
  - Length: 3,510 mm [138"][11'6"]
  - Width: 1,655 mm [65"][5'5"]
  - Height: 895 mm [35"][2'11"]
- External Dimensions:
  - Length: 3,710 mm [146"][12'2"]
  - Width: 1,985 mm [78"][6'6"]
  - Height: 1,245 mm [49"][4'-1"]
- Max gross weight: 17,500 lbs. [7,940 KG]
- Est. Tare Weight: 3,792 lbs. [1,720 KG]
- Pay Load Weight: 13,708 lbs. [6,220 KG]
- Easy lock devise on door assembly
- Two built in ratchet straps



**Make it happen.**

www.TigerOffshoreRentals.com | 24/7 Dispatch 1.877.844.3791