

# DNV MINI CONTAINER

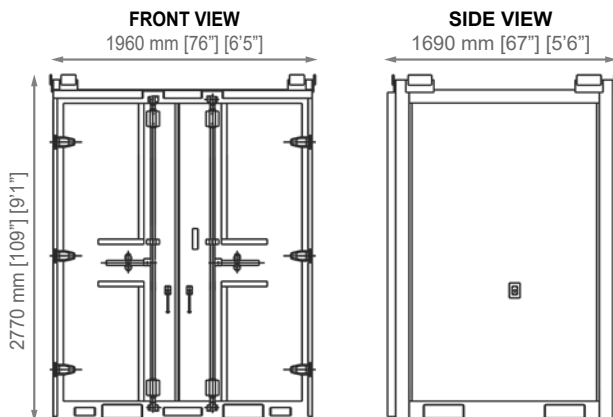


## ▶ COMMON USES

This galvanized DNV Mini Container excels at double stacking dry good material and has a removable rack for large pallets which can be used for dry sack material, drums, tools and much more.



## ▶ DRAWINGS



## ▶ TECHNICAL DATA

OPT 1 DIMENSIONS		L X W X H	
EXTERNAL (MM)	1690 x 1960 x 2770		
EXTERNAL (FT)	5'6" x 6'5" x 9'1"		
INTERNAL (MM)	1482 x 1740 x 2413		
INTERNAL (FT)	4'10" x 5'9" x 7'11"		
WEIGHT	KGS	LBS	
TARE	1700	3748	
PAYLOAD	4000	8818	
MAX GROSS WEIGHT (MGW)	5700	12566	

OPT 2 DIMENSIONS		L X W X H	
EXTERNAL (MM)	1830 x 1830 x 2438		
EXTERNAL (FT)	6' X 6' X 7'11"		
INTERNAL (MM)	1618 x 1618 x 2116		
INTERNAL (FT)	5'4" x 5'4" x 6'11"		
WEIGHT	KGS	LBS	
TARE	1750	3858	
PAYLOAD	3250	7165	
MAX GROSS WEIGHT (MGW)	5000	11023	

OPT 3 DIMENSIONS		L X W X H	
EXTERNAL (MM)	1690 x 1960 x 2639		
EXTERNAL (FT)	5'6" x 6'5" x 8'7"		
INTERNAL (MM)	1482 x 1740 x 2194		
INTERNAL (FT)	4'10" x 5'9" x 7'2"		
WEIGHT	KGS	LBS	
TARE	1600	3527	
PAYLOAD	3950	8708	
MAX GROSS WEIGHT (MGW)	5550	12235	

### ADDITIONAL FEATURES

- Designed, Constructed, Tested to EN12079-1 / DNV 2.7-1 / SEPCo OPS 0055 / API RP