

DNV 4' X 12' DOUBLE DOOR BASKET



▶ COMMON USES

The DNV 4' x 12' Double Door Basket is used to safely transport scaffolding and racks. The double door gives a full opening side for forklift loading and unloading, reducing time and labor when compared with conventional hand or crane loading techniques. It is used for tools, pipe, construction supplies, scrap, bulk waste products and more.



▶ TECHNICAL DATA

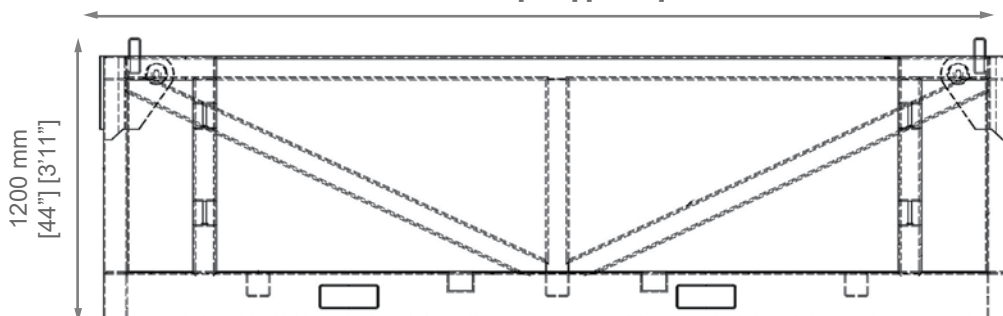
DIMENSIONS		L X W X H	
EXTERNAL (MM)	3904 x 1307 x 1200		
EXTERNAL (FT)	12'10" x 4'3" x 3'11"		
INTERNAL (MM)	3561 x 1082 x 924		
INTERNAL (FT)	11'8" x 3'6" x 3'		
WEIGHT		KGS	LBS
TARE	1810	3990	
PAYLOAD	6718	14810	
MAX GROSS WEIGHT (MGW)	8528	18800	
ADDITIONAL FEATURES			
<ul style="list-style-type: none"> • Designed, Constructed, Tested to EN12079-1 / DNV 2.7-1 / SEPCo OPS 0055 / API RP 			



▶ DRAWINGS

SIDE VIEW

3904 mm [154"] [12'10"]



FRONT VIEW

1307 mm [51"] [4'3"]

