

DNV 47.5 BBL STAINLESS STEEL TANK



▶ COMMON USES

The DNV 47.5 bbl SS Tank is built for safely moving hazardous fluids offshore. Designed for drilling, completion, production, P&A and work over fluids that are compatible with 316L Stainless Steel. This package is dependable and versatile for the Offshore E&P Industry.



▶ TECHNICAL DATA

DIMENSIONS	L X W X H	
EXTERNAL (MM)	2991 x 2438 x 2591	
EXTERNAL (FT)	9'10" x 8' x 8'6"	
WEIGHT	KGS	LBS
TARE	2650	5842
PAYLOAD	12350	27227
MAX GROSS WEIGHT (MGW)	15000	33119
CAPACITY	LITERS	GALS
VOLUME	7640	2018

ADDITIONAL FEATURES

FRAME

- Designed, Constructed, Tested to EN12079-1 / DNV 2.7-1 IMDG, ASME VIII Div. 1
- Steel Tubing Frame, Forklift Pockets on Both Sides, Built in Ladder, Four Point Lift System and Stackable - 3 High Empty, 2 High Full
- Equipped with a Retractable Fall Protection Anchorage Rod

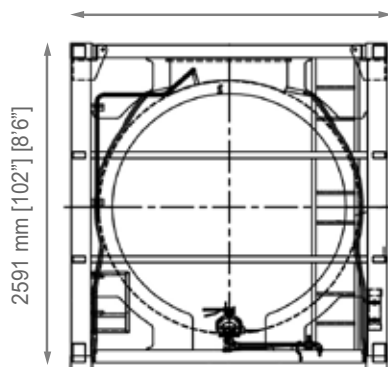
VESSEL

- Design: ASME VIII Div 1 [NCS] / T11 UN Portable Tank / IMDG - Rid/ADR
- 316L Stainless Steel
- Level Gauge Included to Monitor Fluid Levels
- Capable of Venting Air at Ground Level by Way of Control Handle
- Test Pressure: 6 Bar - 87 PSI
- Working Pressure: 4 Bar - 58 PSI
- ISO Corner - 8' X 10' with CSC Safety Approval Plate
- One 3" Discharge Valve with Three-Way Closure
- 20" Top Hatch

▶ DRAWINGS

FRONT VIEW

2438 mm [96"] [8']



SIDE VIEW

2991 mm [118"] [9'10"]

