

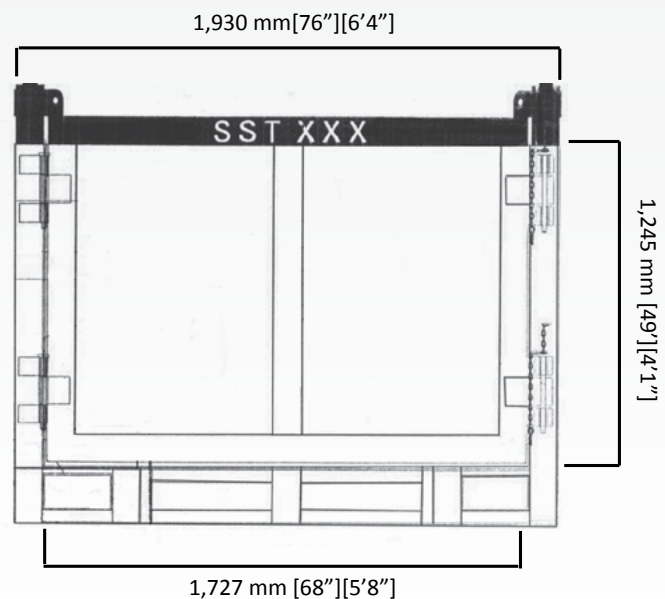
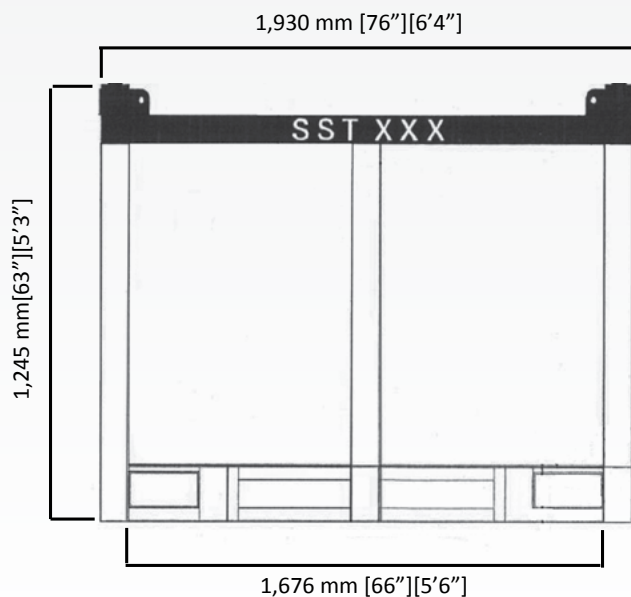
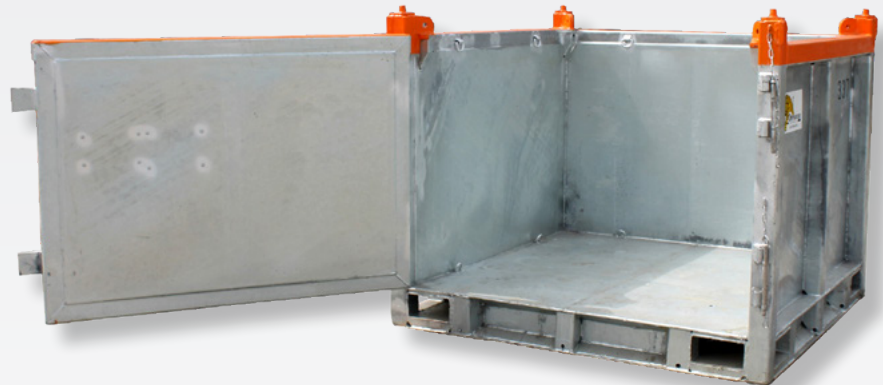
DNV 2.7-1 SST Unit 6'X6' Full Opening Door Basket



COMMON USES: *The DNV 2.7-1 Super Sack Transport [SST] is designed for secure transportation and storage for pre-packaged and medium to small items.*

SPECIFICATIONS

- Designed, tested, constructed, inspected with offshore identification markings to EN12079-1:2006/ DNV2.7-1: 2006 in support of IMO 860 [1998]/SEPCo OPS0055/ API RP Sec.2.4.2c&d
- Third-party certification on design, testing, construction and inspection
- Built in tie down rings for efficiently securing a load
- Design Temperature is -20C
- Internal Dimensions -
 - Length: 1,676 mm [66"] [5'6"]
 - Width: 1,727 mm [68"] [5'8"]
 - Height: 1,245 mm [49"] [4'1"]
- External Dimensions -
 - Length: 1,930 mm [76"] [6'4"]
 - Width: 1,930 mm [76"] [6'4"]
 - Height: 1,245 mm [63"] [5'3"]
- Max Gross Weight - 11,020 LBS [4,998 KG]
- Est. Tare Weight - 2,820 LBS [1,279 KG]
- Pay Load Weight - 8,200 LBS [3,700 KG]



Make it happen.

www.TigerOffshoreRentals.com | 24/7 Dispatch 1.877.844.3791