

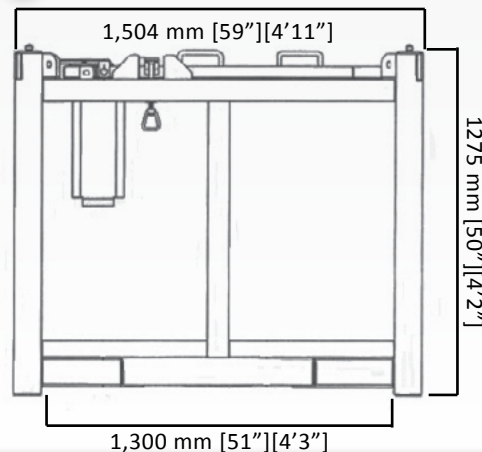
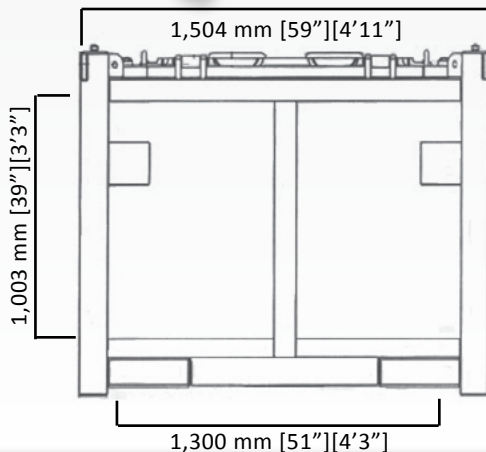
# DNV 2.7-1 Waste Skip / Tool Box



**COMMON USES:** Closed top waste container used to seal, transfer and store waste or municipal waste (“rubbish”) from offshore platforms, rigs, and vessels to a shore base for recycling, sorting or disposal. Designed to be used with liner, super-sack or can hold items as is. Can also be used as sealed dry goods tool box.

## SPECIFICATIONS:

- Designed, tested, constructed, inspected with offshore identification markings to DNV 2.7-1, API RP 2A Sec. 2.4.2 C & D, SEPCO Document OPS 0055, IMO/MSC Circular 860, EN 12079
- Third Party certification on design, testing, construction and inspection
- Design Temperature is -20C
- Internal cubic capacity: 1.69 m<sup>3</sup>
- Built in tie down rings for efficiently securing a load
- Hot Dipped Galvanized [H.D.G.]
- Internal Dimensions:
  - Length: 1,300 mm [51”][4’3”]
  - Width: 1,300 mm [51”][4’3”]
  - Height: 1,003 mm [39”][3’3”]
- External Dimensions:
  - Length: 1,504 mm [59”][4’11”]
  - Width: 1,504 mm [59”][4’11”]
  - Height: 1275 mm [50”][4’2”]
- Lid Dimensions:
  - Length: 1,251 mm [4’1”][49”]
  - Width: 1,251 mm [4’1”][49”]
- Max gross weight: 8,800 LBS [4,000 KG]
- Est. Tare Weight: 2,123 LBS [965 KG]
- Pay Load Weight: 6,677 LBS [3,035 KG]



**Make it happen.**

www.TigerOffshoreRentals.com | 24/7 Dispatch 1.877.844.3791