

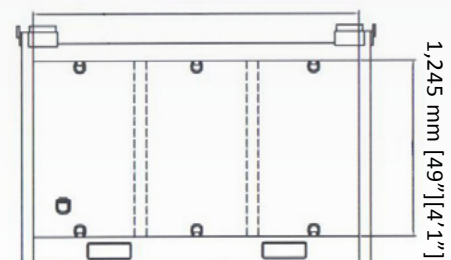
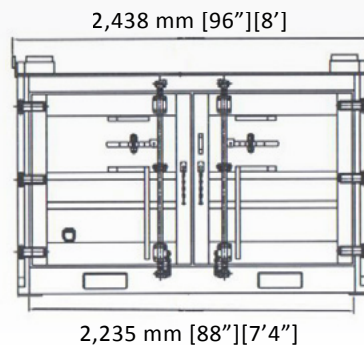
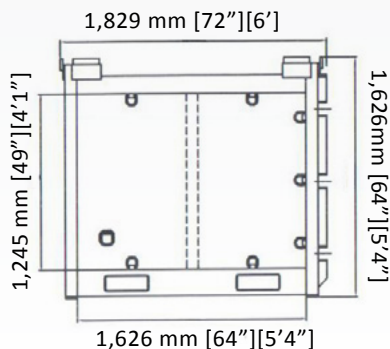
8'x5' DNV 2.7-1 Short Container



COMMON USES: General purpose dry storage container perfect for transportation and storage of groceries, office and production supplies, electronic and communication equipment, as well as general palletized materials.

SPECIFICATIONS

- Designed, tested, constructed, inspected with offshore identification markings to EN12079-1:2006/DNV2.7-1: 2006 in support of IMO 860 /SEPCo OPS0055/ API RP Sec.2.4.2c&d
- Third-party certification on design, testing, construction and inspection
- Design Temperature is -20C
- Built in tie down rings for efficiently securing a load
- Internal Dimensions -
 - Length: 2,235 mm [88"][7'4"]
 - Width: 1,626 mm [64"][5'4"]
 - Height: 1,245 mm [49"][4'1"]
- External Dimensions -
 - Length: 2,438 mm [96"][8']
 - Width: 1,829 mm [72"][6']
 - Height: 1,626 mm [64"][5'4"]
- Max gross weight: 12,566 lbs. [5,700 KG]
- Est. Tare Weight: 3,748 lbs. [1,700 KG]
- Pay Load Weight: 8,818 lbs. [4,000 KG]



Make it happen.

www.TigerOffshoreRentals.com | 24/7 Dispatch 1.877.844.3791