

8' x 20' DNV 2.7-1 Closed Top Offshore Container



COMMON USES: The 8' x 20' DNV 2.7-1 CONTAINER is the industry all-purpose dry goods transporter. Meets API RP 2A lifting requirements and certified for SEPco 0055.

SPECIFICATIONS

- Meets API RP 2A lifting requirements and certified for SEPco 0055.
- Offshore approved lifting eyes - DNV 2.7-1 and dry van ISO corner blocks
- CSC Plates
- Hot Dipped Galvanized
- Inside lashing points for cargo
- Designed, tested and constructed to IMO 860, DNV 2.7-1, EN 12079 and API RP 2A20

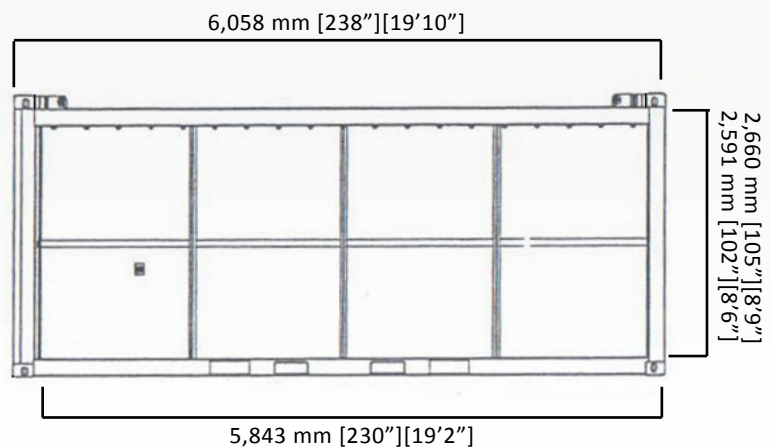
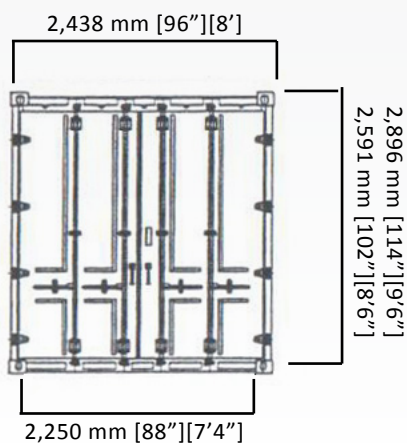


OPTION 1:

- Internal Dimensions:
- Length: 5,861 mm [230"] [19'2"]
- Width: 2,250 mm [88"] [7'4"]
- Height: 2,213 mm [87"] [7'3"]
- External Dimensions:
- Length: 6,058 mm [238"] [19'10"]
- Width: 2,438 mm [96"] [8']
- Height: 2,591 mm [102"] [8'6"]
- Max gross weight: 18,000 KG [39,670 LBS]
- Est. Tare Weight: 3,900 KG [8,598 LBS]
- Pay Load Weight: 14,100 KG [31,085 LBS]

OPTION 2:

- Internal Dimensions:
- Length: 5,843 mm [230"] [19'2"]
- Width: 2,250 mm [88"] [7'3"]
- Height: 2,660 mm [105"] [8'9"]
- External Dimensions:
- Length: 6,058 mm [238"] [19'10"]
- Width: 2,438 mm [96"] [8']
- Height: 2,896 mm [114"] [9'6"]
- Max gross weight: 20,000 KG [44,092 LBS]
- Est. Tare Weight: 4,750 KG [10,472 LBS]
- Pay Load Weight: 15,250 KG [33,620 LBS]



Make it happen.

www.TigerOffshoreRentals.com | 24/7 Dispatch 1.877.844.3791