

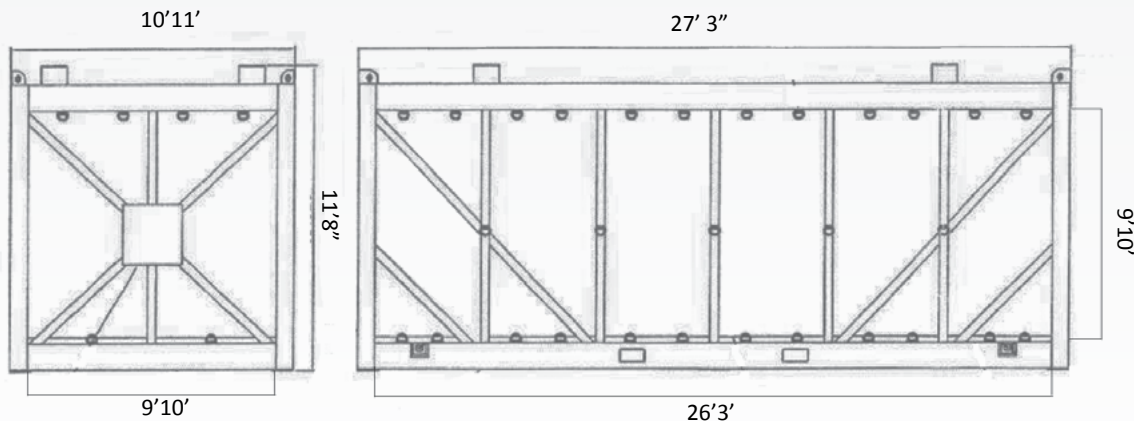
Tiger 8.3 m Oversized DNV 2.7-3 Lifting Frame (HDG) 66,000#



COMMON USES: Engineered to handle over-width, over-height, bulky items during all-weather offshore operations. The oversized lifting frame can be used for shipping temporary buildings, oversized spools, chain, anchors, umbilical cords, buoys, ROV's, forklifts and construction materials.

SPECIFICATIONS

- Designed, tested, constructed, inspected with offshore identification markings to DNV 2.7-3 and Type A for multiple transportation.
- Third-party certification on design, testing, construction and inspection
- Design Temperature is -20C
- Built in tie down rings
- Internal Dimensions:
 - Length: 8,000 mm [315"] [26'3"]
 - Width: 3,000 mm [118"] [9'10"]
 - Height: 3,000 mm [118"] [9'10"]
- External Dimensions:
 - Length: 8,320 mm [328"] [27'3"]
 - Width: 3,300 mm [130"] [10'11"]
 - Height: 3,546 mm [140"] [11'8"]
- Max Gross Weight: 66,140 LBS (30,000 KG)
- Est. Tare Weight: 16,094 LBS (7,300 KG)
- Pay Load Weight: 50,004 LBS (22,700 KG)
- Hot Dipped Galvanized



Make it happen.

www.TigerOffshoreRentals.com | 24/7 Dispatch 1.877.844.3791