

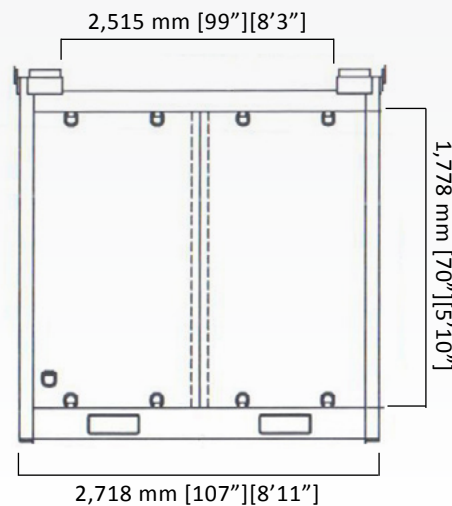
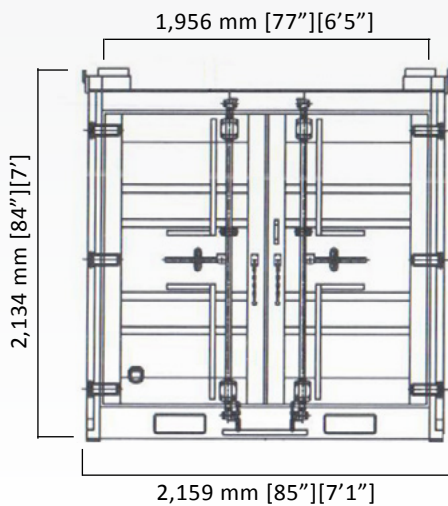
# 7' x 8' DNV 2.7-1 Container



**COMMON USES:** General purpose dry storage container perfect for groceries, office and production supplies, electronic and communication equipment, as well as general palletized materials.

## SPECIFICATIONS

- Designed, tested, constructed, inspected with offshore identification markings to EN12079-1:2006/ DNV2.7-1: 2006 in support of IMO MSC/Circ. 860 [1998]/SEPCo OPS0055/ API RP Sec.2.4.2c&d
- Third-party certification on design, testing, construction and inspection
- Design Temperature is -20C
- Built in tie down rings for efficiently securing a load
- Internal Dimensions -
  - Length: 2,515 mm [99"][8'3"]
  - Width: 1,956 mm [77"][6'5"]
  - Height: 1,778 mm [70"][5'10"]
- External Dimensions -
  - Length: 2,718 mm [107"][8'11"]
  - Width: 2,159 mm [85"][7'1"]
  - Height: 2,134 mm [84"][7']
- Max Gross Weight: 18,077 lbs. [8,200 KG]
- Est. Tare Weight: 4,850 lbs. [2,200 KG]
- Pay Load Weight: 13,227 LBS [6,000 KG]



**Make it happen.**

www.TigerOffshoreRentals.com | 24/7 Dispatch 1.877.844.3791