

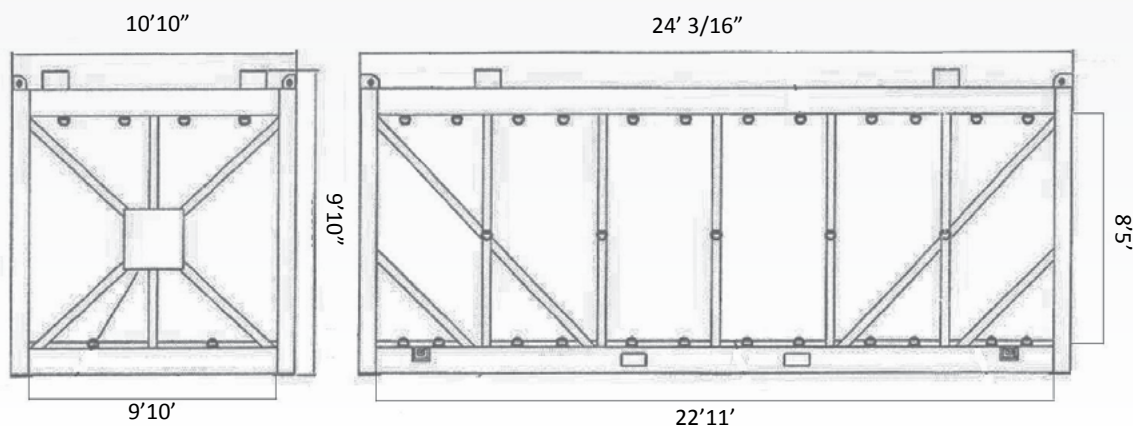
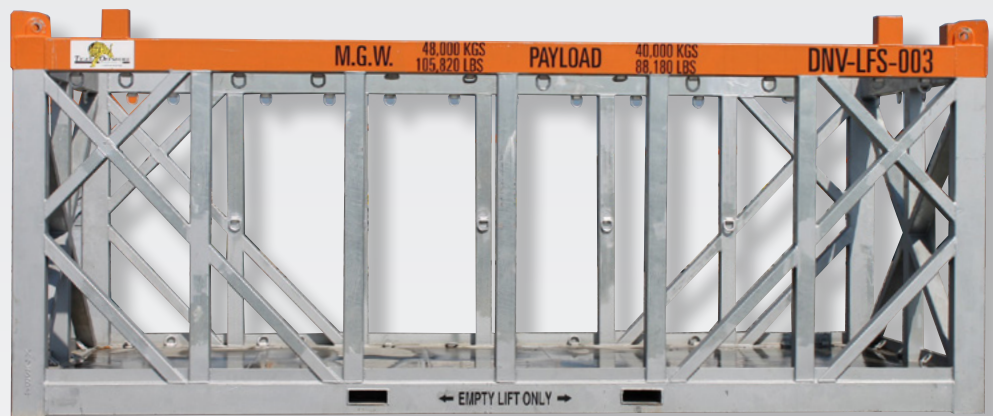
# Tiger 7.3 m Oversized DNV 2.7-3 Lifting Frame (HDG) 105,000#



**COMMON USES:** Engineered to handle over-width, over-height, bulky items during all-weather offshore operations. The oversized lifting frame can be used for shipping temporary buildings, oversized spools, chain, anchors, umbilical cords, buoys, ROV's, forklifts and construction materials.

## SPECIFICATIONS

- Designed, tested, constructed, inspected with offshore identification markings to DNV 2.7-3 and Type A for multiple transportation.
- Third-party certification on design, testing, construction and inspection
- Design Temperature is -20C
- Built in tie down rings
- Internal Dimensions:
  - Length: 7,000 mm [275"][22'11"]
  - Width: 3,000 mm [118"][9'10"]
  - Height: 2,584 mm [101"][8'5"]
- External Dimensions:
  - Length: 7,320 mm [288"][24']
  - Width: 3,300 mm [130"][10'10"]
  - Height: 3,020 mm [118"][9'10"]
- Max Gross Weight: 105,000 LBS [48,000 KG]
- Est. Tare Weight: 17,636 LBS [8,000 KG]
- Pay Load Weight: 88,184 LBS [40,000 KG]
- Hot Dipped Galvanized



**Make it happen.**

www.TigerOffshoreRentals.com | 24/7 Dispatch 1.877.844.3791