

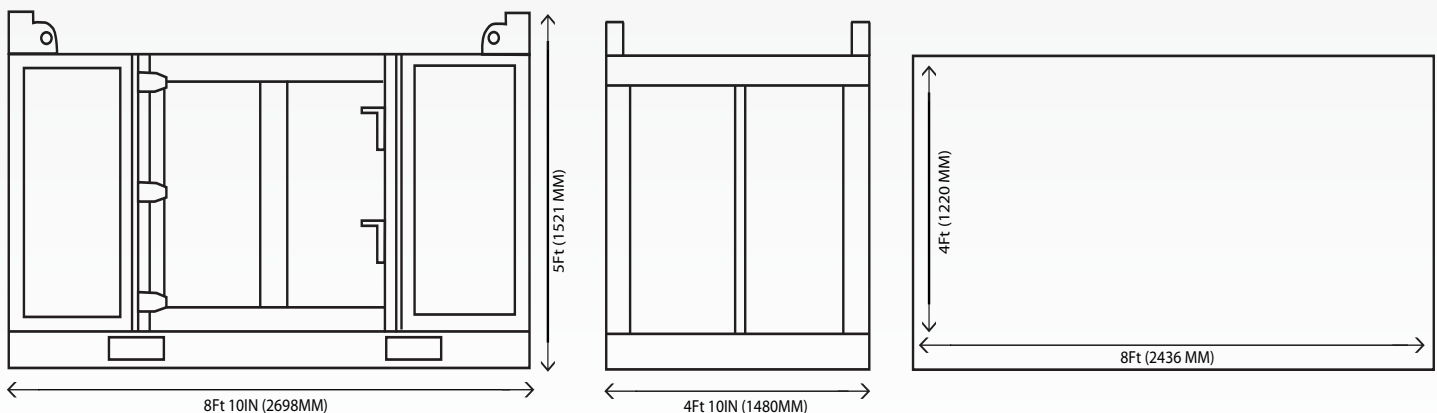
DNV 2.7-1 5'x9' Basket with Side Door



COMMON USES: *The DNV 2.7-1 5'x9' Basket with Side Door is an all-purpose transporter that features a side door for loading and unloading.*

SPECIFICATIONS

- Designed, tested, constructed, inspected with offshore identification markings to DNV 2.7-1, API RP 2A Sec. 2.4.2 C&D, SEPco Document OPS 0055, IMO 860, EN 12079
- Third-party certification on design, testing, construction and inspection
- Design temperature is -20C
- Built in tie down rings for efficiently securing a load
- Hot Dipped Galvanized (H.D.G.)
- Internal Dimensions:
 - Length: 2,436 mm [96"][8']
 - Width: 1,220 mm [48"][4']
 - Height: 1,220 mm [48"][4']
- External Dimensions:
 - Length: 2,698 mm [106"][8'10"]
 - Width: 1,480 mm [58"][4'10"]
 - Height: 1,521 mm [60"][5']
- Est. Tare Weight: 2,359 lbs. [1,070 KGS]
- Max Gross Weight: 13,228 LBS [6,000 KGS]
- Pay Load Weight: 10,846 lbs. [4,930 KGS]



Make it happen.

www.TigerOffshoreRentals.com | 24/7 Dispatch 1.877.844.3791