

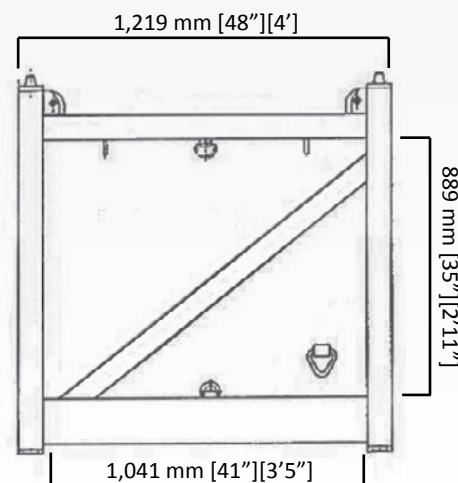
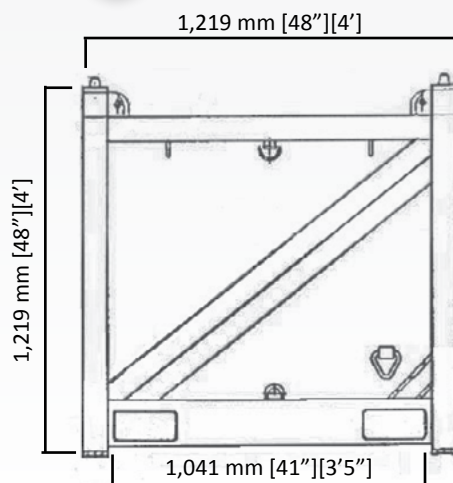
4' x 4' DNV 2.7-1 Basket



COMMON USES: *Secure transportation and storage of pre-packaged medium to small items.*

SPECIFICATIONS

- Designed, tested, constructed, inspected with offshore identification markings to DNV 2.7-1, API RP 2A Sec. 2.4.2 C&D, SEPco Document OPS 0055, IMO 860, EN 12079
- Third-party certification on design, testing, construction and inspection
- Design temperature is -20C
- Built in tie down rings for efficiently securing a load
- Hot Dipped Galvanized (H.D.G.)
- Internal Dimensions:
 - Length: 1,041 mm [41"][3'5"]
 - Width: 1,041 mm [41"][3'5"]
 - Height: 889 mm [35"][2'11"]
- External Dimensions:
 - Length: 1,219 mm [48"][4']
 - Width: 1,219 mm [48"][4']
 - Height: 1,219 mm [48"][4']
- Max Gross Weight: 7,981 lbs. [3,620 KG]
- Tare Weight: 1,367 lbs. [620 KG]
- Pay Load Weight: 6,612 lbs. [3,000 KG]



Make it happen.

www.TigerOffshoreRentals.com | 24/7 Dispatch 1.877.844.3791