

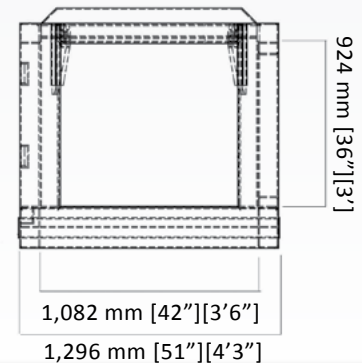
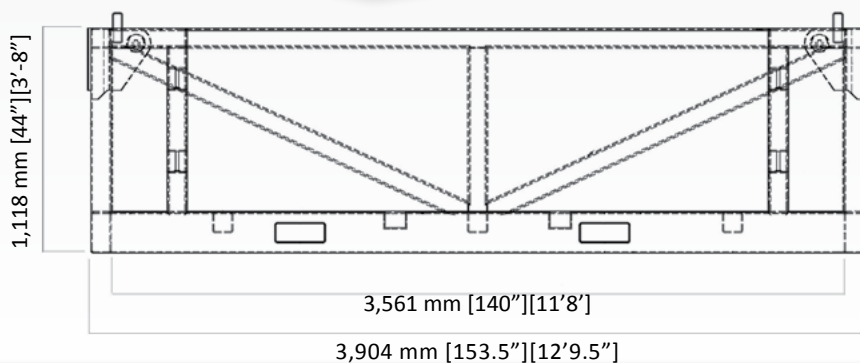
# DNV 2.7-1 4' x 12' Double Door Basket



**COMMON USES:** The 4'x12' Double Door Basket is designed for safely transporting scaffolding and scaffolding racks. The double door gives a full opening side which allows forklift loading and unloading. Thus reducing time and labor when compared with conventional hand or crane loading techniques. This double door basket can be used for a variety of materials including but not limited to tools, pipe, construction supplies, scrap and bulk waste products.

## SPECIFICATIONS:

- Designed, tested, constructed, inspected with offshore identification markings to DNV 2.7-1, API RP 2A Sec. 2.4.2 C&D, SEPco Document OPS 0055, IMO 860, EN 12079
- Third-party certification on design, testing, construction and inspection
- Design Temperature is -20C
- Built in tie down rings for efficiently
- Stackable with Sling Connected
- Internal Dimensions:
  - Length: 3,561 mm [140"] [11'8"]
  - Width: 1,082 mm [42"] [3'6"]
  - Height: 924 mm [36"] [3']
- External Dimensions:
  - Length: 3,904 mm [153.5"] [12'9.5"]
  - Width: 1,296 mm [51"] [4'3"]
  - Height: 1,118 mm [44"] [3'-8"]
- Max gross weight: 18,800 lbs. [8,528 KG]
- Est. Tare Weight: 3,990 lbs. [1,810 KG]
- Pay Load Weight: 14,810 lbs. [6,718 KG]
- Easy lock devise on door assembly



**Make it happen.**

www.TigerOffshoreRentals.com | 24/7 Dispatch 1.877.844.3791