

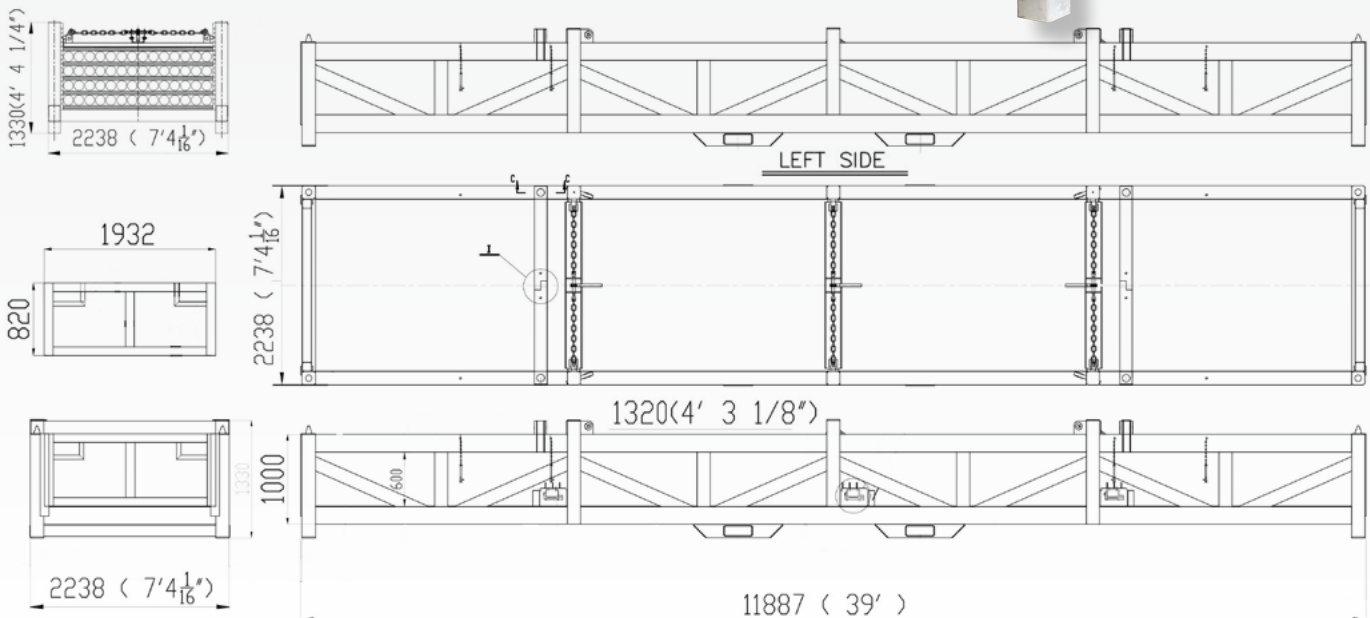
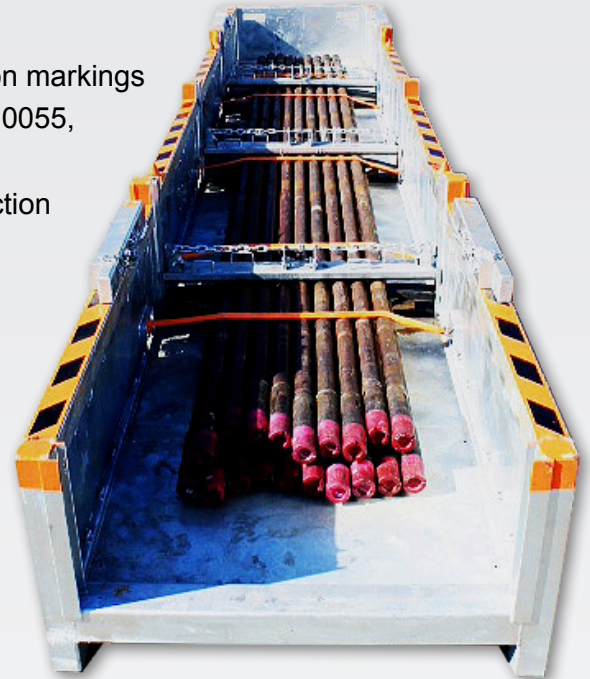
39' x 7'4" DNV 2.7-1 Tubular Transportation Basket



COMMON USES: Safe, secure transport of bundles of drill pipe, casing or long, wide, or overweight tools.

SPECIFICATIONS

- Designed, tested, constructed, inspected with offshore identification markings to DNV 2.7-1, API RP 2A Sec. 2.4.2 C&D, SEPco Document OPS 0055, IMO 860, EN 12079
- Third-party certification on design, testing, construction and inspection
- Design Temperature is -20C
- Built-in nylon ratchet straps
- Built in tie down rings
- Internal Dimensions:
 - Length: 11,657 mm [458.5"] [38'2.5"]
 - Width: 1,856 mm [73"] [6'1"]
 - Height: 844 mm [33"] [2'9"]
- External Dimensions:
 - Length: 11,887 mm [468"] [39']
 - Width: 2,238 mm [88"] [7'4"]
 - Height: 1,334 mm [52"] [4'4"]
- Door Opening Dimensions:
 - Width: 1,854 mm [73"] [6'1"]
 - Height: 794 mm [31.25"] [2'7.25"]
- Max Gross Weight: 48,505 LBS [22,000 KG]
- Tare Weight: 16,645 LBS [7,550 KG]
- Pay Load Weight: 31,860 LBS [14,450 KG]
- Hot Dipped Galvanized



Make it happen.

www.TigerOffshoreRentals.com | 24/7 Dispatch 1.877.844.3791