

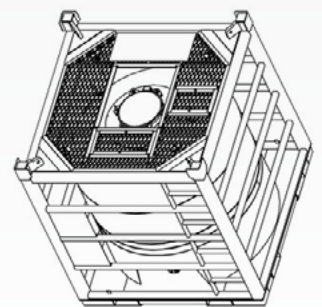
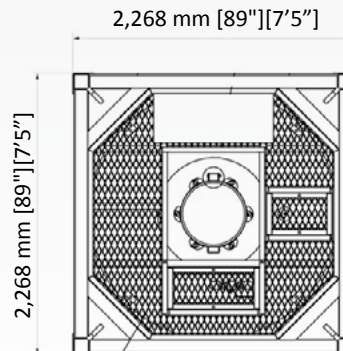
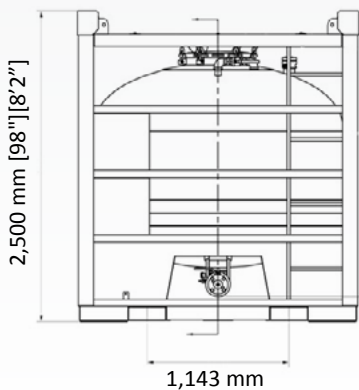
25 BBL SS Low Profile DNV Vertical Tank



COMMON USES: The 25 Barrel Stainless Steel Low Profile DNV 2.7-1 Vertical Tank is built for safely moving hazardous fluids offshore. It is designed for drilling, completion, production, P&A and work over fluids that are compatible with 316 stainless steel. This package is dependable and versatile for the Offshore E&P Industry.

SPECIFICATIONS

- Designed for offshore dynamic lifting in accordance with the provisions of DNV 2.7-1, EN 12079, API RP 2A and SEPco document OPS0055
- Dimensions
 - Length: 2,268 mm [89"] [7'5"]
 - Width: 2,268 mm [89"] [7'5"]
 - Height: 2,500 mm [98"] [8'2"]
- Tank Inner Diameter: $\text{Ø} 2,000 \text{ mm} = 78.75''$
- Manhole Diameter: $\text{Ø} 500 \text{ mm} = 19.69''$
- Nominal Capacity: 4,000 L = 1,056 gal. = 25.16 bbls.
- Est. Tare Weight: 5,291 lbs. [2,400 KG]
- Pay Load Weight: 16,755 lbs. [7,600 KG]
- Max Gross Weight: 22,046 lbs. [10,000 KG]
- Design Pressure: 2.67 bar = 38.7 PSI
- Test Pressure: 4.0 bar = 58 PSI
- Tank Material: Stainless Steel 316
- Seal Gasket: FKM (A chemically resistant fluorinated rubber.)
- Finish: 3 Part Poly Exterior Coating
- Design Code: DNV2.7-1 IMDG, ASME VIII Div. 1
- Third-party Approval: DNV2.7-1 IMDG



Make it happen.

www.TigerOffshoreRentals.com | 24/7 Dispatch 1.877.844.3791