

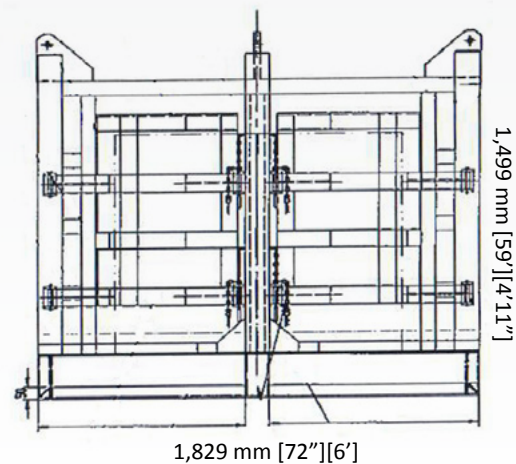
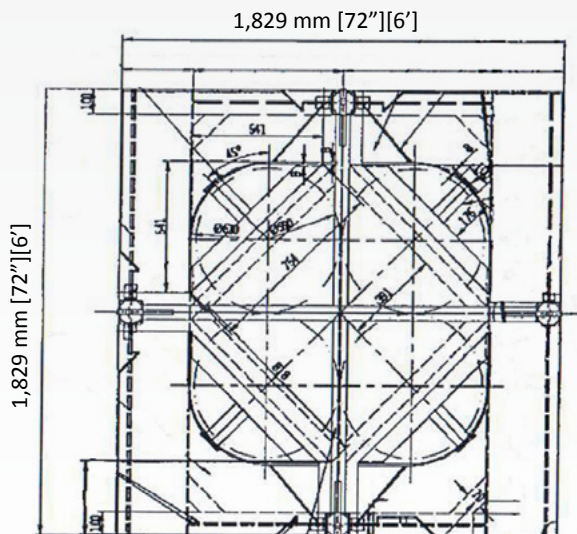
DNV 2.7-1 Drum Rack



COMMON USES: Secure transport and storage of single and multiple separate packages of normal drummed fluids or solids.

SPECIFICATIONS

- Designed, tested, constructed, inspected with offshore identification markings to EN12079-1:2006/DNV2.7-1: 2006 in support of IMO 860 / SEPCo OPS0055 / API RP Sec.2.4.2c&d
- Third-party certification on design, testing, construction and inspection
- Built in tie down rings for efficiently securing loads
- Design Temperature is -20C
- External Dimensions -
 - Length: 1,829 mm [72"] [6']
 - Width: 1,829 mm [72"] [6']
 - Height: 1,499 mm [59"] [4' 11"]
- Max Gross Weight: 4,409 LBS [2,000 KG]
- Est. Tare Weight: 2,314 LBS [1,050 KG]
- Pay Load Weight: 2,094 LBS [950 KG]
- Fork liftable from two sides
- Drip pan
- 3" ratchet strap to secure cargo
- 4-Punched/drilled lift eyes tested to 2 times MGW



Make it happen.

www.TigerOffshoreRentals.com | 24/7 Dispatch 1.877.844.3791