

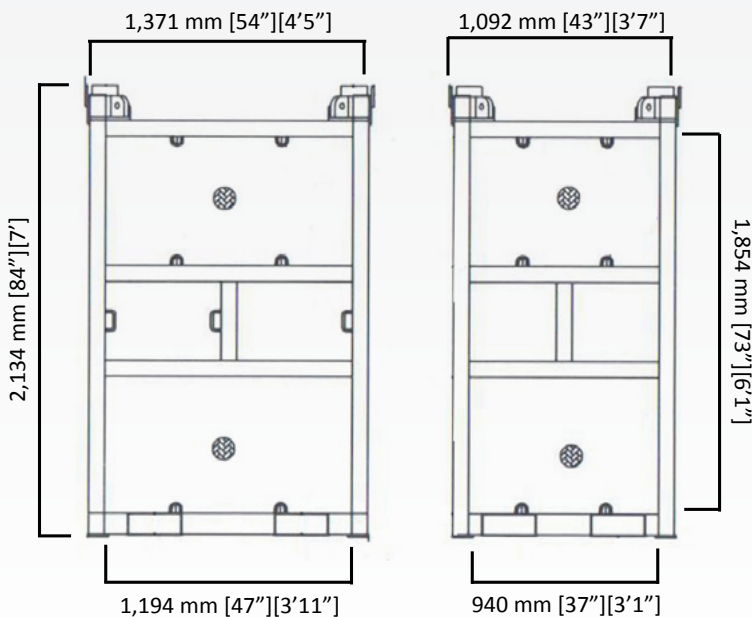
DNV 2.7-1 Drum Rack/ Bottle Rack



COMMON USES: *Secure transportation and storage of both pressurized gas cylinders or 55 gallon drums and other like products.*

SPECIFICATIONS

- Designed, tested, constructed, inspected with offshore identification markings to EN12079-1:2006/ DNV2.7-1: 2006 in support of IMO 860 [1998]./ SEPCo OPS0055/ API RP Sec.2.4.2c&d
- Third-party certification on design, testing, construction and inspection
- Built in tie down rings
- Internal Dimensions:
 - Width: 1,194 mm [47"][3'11"]
 - Length: 940 mm [37"][3'1"]
 - Height: 1,854 mm [73"][6'1"]
- External Dimensions:
 - Width: 1,371 mm [54"][4'5"]
 - Length: 1,092 mm [43"][3'7"]
 - Height: 2,134 mm [84"][7"]
- Max gross weight: 5,886 LBS. [2,667 KG]
- Est. Tare Weight: 1,543 LBS. [700 KG]
- Pay Load Weight: 4,343 LBS. [1,970 KG]



Make it happen.

www.TigerOffshoreRentals.com | 24/7 Dispatch 1.877.844.3791