

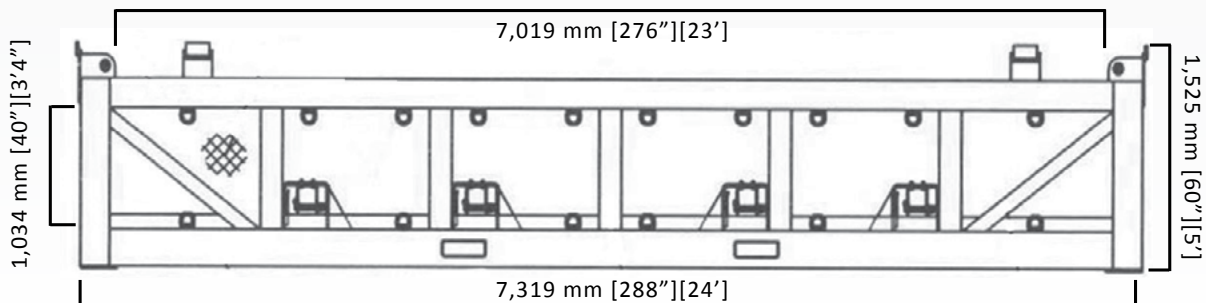
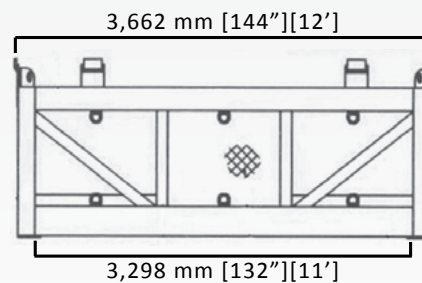
12'x24'x5' DNV 2.7-3 Cargo Transporter with Removable Doors



COMMON USES: Secure transportation and storage of oversized, overweight and over-length items such as spools, heavy casing, anchors, buoys and other similar items.

SPECIFICATIONS

- Designed, tested, constructed and inspected with offshore identification markings to DNV 2.7-3 type B for transportation / SEPco OPS0050 / API RP 2A Sec 2.4.20&D
- Third-party certification on design, testing, construction and inspection
- Design Temperature is -20C
- Four built-in nylon ratchet straps
- Built in tie down rings
- Internal Dimensions:
 - Length: 7,019 mm [276"][23']
 - Width: 3,298 mm [132"][11']
 - Height: 1,034 mm [40"][3'4"]
- External Dimensions:
 - Length: 7,319 mm [288"][24']
 - Width: 3,662 mm [144"][12']
 - Height: 1,525 mm [60"][5']
- Max Gross Weight: 50,000 LBS [22,680 KG]
- Tare Weight: 13,227 LBS [6,000 KG]
- Pay Load Weight: 36,773 LBS [16,680 KG]
- Hot Dipped Galvanized



Make it happen.

www.TigerOffshoreRentals.com | 24/7 Dispatch 1.877.844.3791