

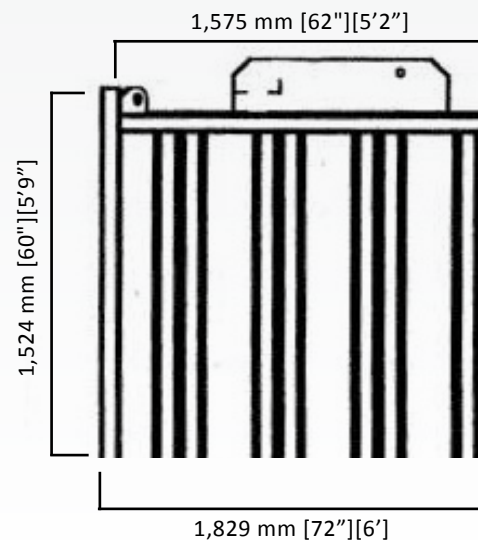
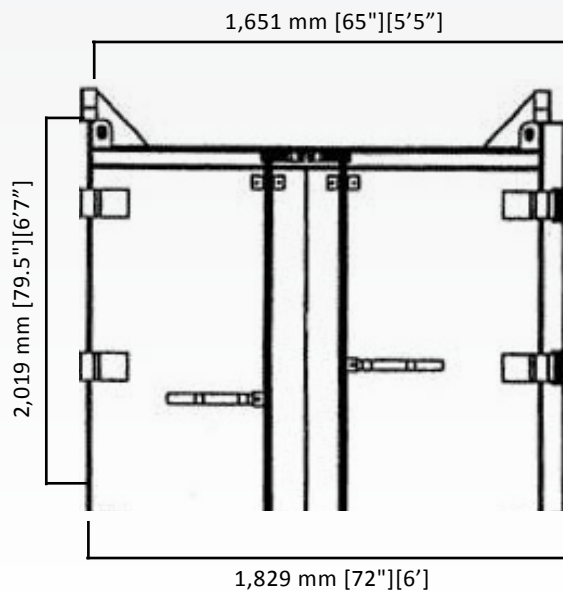
6' x 6' x 6' Pallet Container



COMMON USES: Used for shipping palletized materials, supplies, dry storage items, computers, cardboard boxes, drums, caustics and shore based or rig based dry storage.

SPECIFICATIONS

- Designed for offshore dynamic lifting in accordance with the provisions of API RP 2A and SEPco document OPS0055.
- Tare Weight: 3,500 lbs [1,588 KG]
- Max Gross Weight: 7,000 lbs [3175 KG]
- Pay Load Weight: 3,500 lbs [1,588 KG]
- External Dimensions:
 - Width: 1,829 mm [72"][6']
 - Depth: 1,829 mm [72"][6']
 - Height: 2,019 mm [79.5"][6'7"]
- Inside Free Space Dimensions:
 - Width: 1,651 mm [65"][5'5"]
 - Depth: 1,575 mm [62"][5'2"]
 - Height: 1,524 mm [60"][5'9"]
- Door Opening Dimensions:
 - Width: 1,626 mm [64"][5'4"]
 - Height: 1,524 mm [60"][5'9"]
- Water resistant reefer style doors and locks
- Stackable
- Six heavy duty hinges with grease zerks
- Four punched lift eyes tested to 2-1/2 times MGW



Make it happen.

www.TigerOffshoreRentals.com | 24/7 Dispatch 1.877.844.3791