

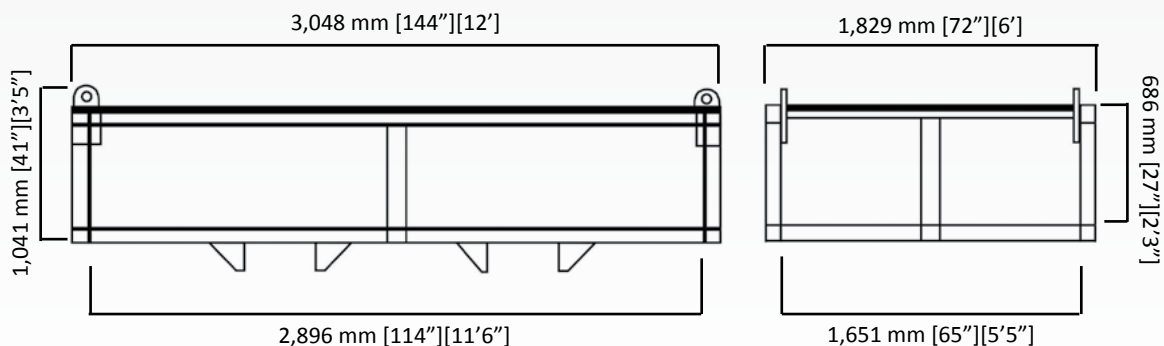
6' x 12' Cargo or Tool Basket



COMMON USES: *The 6'x12' basket is designed to handle the heavier more bulky items during construction or deep water operations.*

SPECIFICATIONS

- Designed for offshore dynamic lifting in accordance with the provisions of API RP 2A and SEPco document OPS0055.
- 4-Punched lift eyes tested to two times MGW
- Heavy gauge solid plate wall and ends
- Solid Plate Floor
- Fork liftable from Two Sides
- Hot Dipped Galvanized (H.D.G.)
- Internal Dimensions:
 - Length: 2,896 mm [114"] [11'6"]
 - Width: 1,651 mm [65"] [5'5"]
 - Height: 686 mm [27"] [2'3"]
- External Dimensions:
 - Length: 3,048 mm [144"] [12']
 - Width: 1,829 mm [72"] [6']
 - Height: 1,041 mm [41"] [3'5"]
- Est. Tare Weight: 3,000 lbs. [1,361 KG]
- Max Gross Weight: 15,500 lbs. [7,031 KG]
- Pay Load Weight: 12,500 lbs. [5,670 KG]



Make it happen.

www.TigerOffshoreRentals.com | 24/7 Dispatch 1.877.844.3791