

6.5' x 16' Cargo or Tool Basket



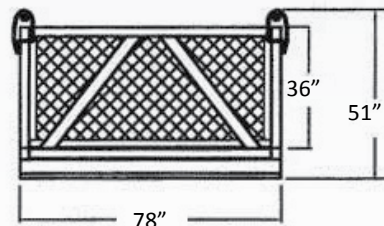
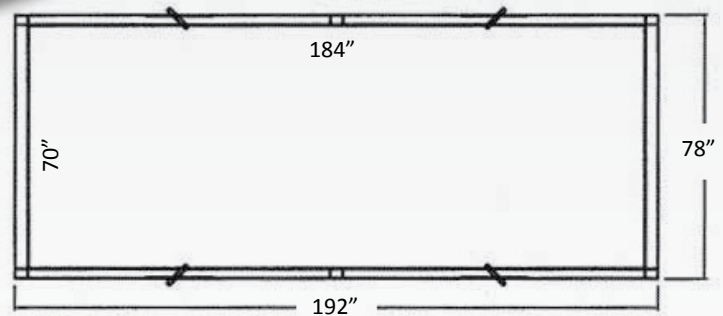
COMMON USES: The 6.5'x16' basket is designed to handle the heavier more bulky items during construction or deep water operations.

SPECIFICATIONS

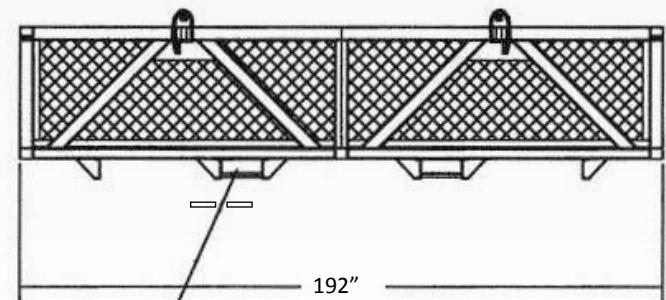
- Designed for offshore dynamic lifting in accordance with the provisions of API RP 2A and SEPco document OPS0055
- 4-Punched lift eyes tested to two times MGW
- Heavy gauge expanded metal wall and ends
- Solid Plate Floor
- Fork liftable from two sides
- Hot Dipped Galvanized (H.D.G.)
- Internal Dimensions:
 - Length: 4,674 mm [184"] [15'4"]
 - Width: 1,778 mm [70"] [5'10"]
 - Height: 914 mm [36"] [3']
- External Dimensions:
 - Length: 4,877 mm [192"] [16']
 - Width: 1,981 mm [78"] [6'6"]
 - Height: 1,295 mm [51"] [4'3"]
- Est. Tare Weight: 4,000 lbs. [1,814 KG]
- Max Gross Weight: 24,400 lbs. [11,068 KG]
- Pay Load Weight: 20,000 lbs. [9,072 KG]
- Four built-in ratchet straps



TOP VIEW



END VIEW



1" X 12" OPENING

SIDE VIEW

Make it happen.

www.TigerOffshoreRentals.com | 24/7 Dispatch 1.877.844.3791