

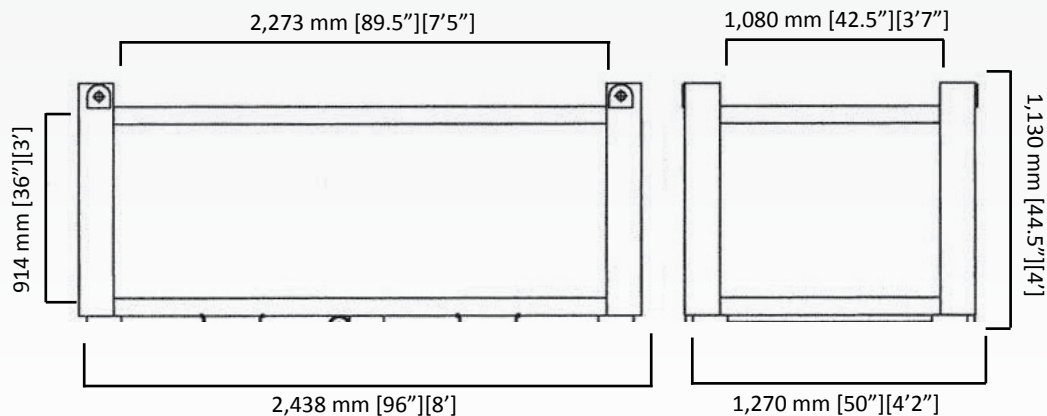
# 4' x 8' Cargo or Tool Basket



**COMMON USES:** The 4'x8' basket can be used to store or transport tools, connection joints, construction supplies, scrap or waste.

## SPECIFICATIONS

- Designed for offshore dynamic lifting in accordance with the provisions of API RP 2A and SEPco document OPS0055
- 4-punched lift eyes tested to two times MGW
- Solid, heavy gauge metal wall and ends
- Solid Plate Floor
- Fork liftable from Two Sides
- Hot Dipped Galvanized (H.D.G.)
- Internal Dimensions:
  - Length: 2,273 mm [89.5"] [7'5"]
  - Width: 1,080 mm [42.5"] [3'7"]
  - Height: 914 mm [36"] [3']
- External Dimensions:
  - Length: 2,438 mm [96"] [8']
  - Width: 1,270 mm [50"] [4'2"]
  - Height: 1,130 mm [44.5"] [4']
- Est. Tare weight: 1,650 lbs. [748 KG]
- Max gross weight: 13,150 lbs. [5,965 KG]
- Pay Load Weight: 11,500 lbs. [5,216 KG]



**Make it happen.**

[www.TigerOffshoreRentals.com](http://www.TigerOffshoreRentals.com) | 24/7 Dispatch 1.877.844.3791