

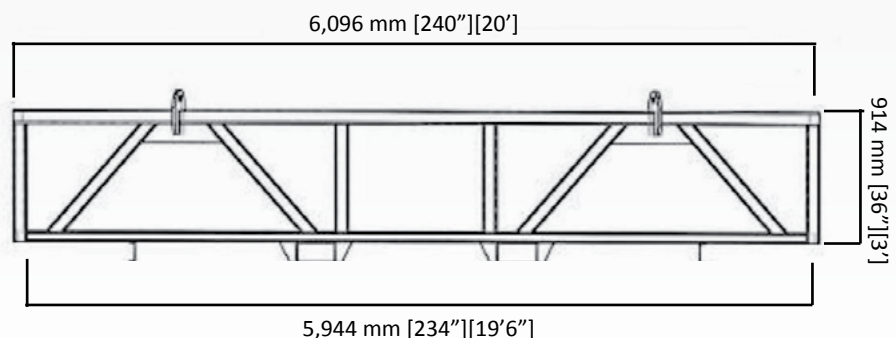
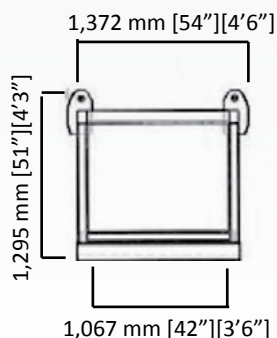
4' x 20' Cargo or Tool Basket



COMMON USES: All-purpose basket that is engineered for the larger bulky items during all weather offshore operations.

SPECIFICATIONS

- Designed for offshore dynamic lifting in accordance with the provisions of API RP 2A and SEPco document OPS0055
- 4-punched lift eyes tested to two times MGW
- Heavy gauge expanded metal wall and ends
- Solid Plate Floor
- Fork liftable from Two Sides
- Hot Dipped Galvanized (H.D.G.)
- Internal Dimensions:
 - Length: 5,944 mm [234"][19'6"]
 - Width: 1,067 mm [42"][3'6"]
 - Height: 914 mm [36"][3']
- External Dimensions:
 - Length: 6,096 mm [240"][20']
 - Width: 1,372 mm [54"][4'6"]
 - Height: 1,295 mm [51"][4'3"]
- Est. Tare Weight: 4,200 lbs. [1,905 KG]
- Max Gross Weight: 14,900 lbs. [6,759 KG]
- Pay Load Weight: 10,700 lbs. [4,853 KG]



Make it happen.

www.TigerOffshoreRentals.com | 24/7 Dispatch 1.877.844.3791