

# 47.5 BBL 2.7-1 Stainless Steel Tank



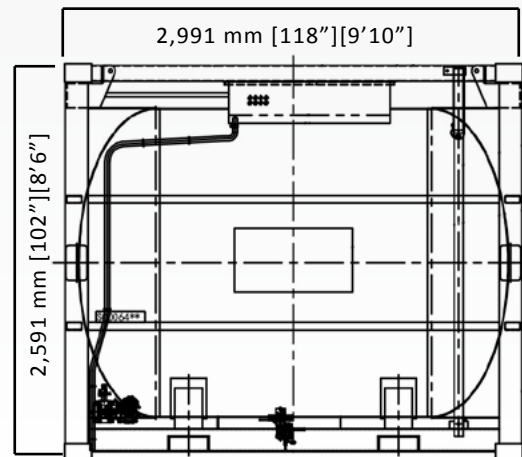
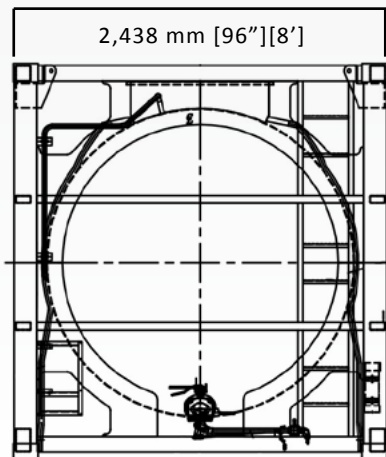
**COMMON USES:** Secure transportation and storage of drilling, production and completion fluids as well as fuels and other similar liquids compatible with 316L stainless steel.

## SPECIFICATIONS

- Designed, tested, constructed, inspected with offshore identification markings to DNV 2.7-1, API RP2A Sec. 2.4.2 C&D, SEPco Document OPS 0055, IMO 860, EN 12079, US DOT
- ASME VIII-1 [NCS] / T11 UN Portable Tank / IMDG - RID/ADR
- Vessel 316L Stainless Steel
- Equipped with separate valve for drawing sample of tank contents
- Level gauge included to monitor fluid levels
- Capable of venting air at ground level by way of control handle
- Test Pressure: 6 BAR - 87 PSI
- Working Pressure: 4 BAR - 58 PSI
- Third-party certification on design, testing, construction and inspection
- Frame Design Temperature is -20C
- Tank Design Temperature is -40C
- ISO Corner Blocks - 8' x 10' with CSC Safety Approval Plate
- One 3" Discharge valve
- Built in ladder and walk way
- Equipped with a retractable fall protection anchorage rod
- 20" Top Hatch



- Three-way closure discharge valve
- Four-Point Lifting Eyes
- Fork liftable from two sides
- 47.5 BBL = 2,000 Gallons = 7,600 Liters
- Frame Dimensions -
  - Length: 2,991 mm [118"] [9'10"]
  - Width: 2,438 mm [96"] [8']
  - Height: 2,591 mm [102"] [8'6"]
- Max gross weight: 33,069 lbs. [15,000 KG]
- Est. Tare Weight: 5,511 lbs. [2,500 KG]
- Pay Load Weight: 27,558 lbs. [12,500 KG]



**Make it happen.**

www.TigerOffshoreRentals.com | 24/7 Dispatch 1.877.844.3791