

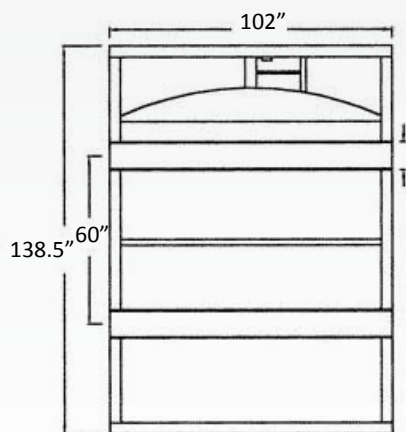
# 4,000 Gallon Potable Water Storage Tank



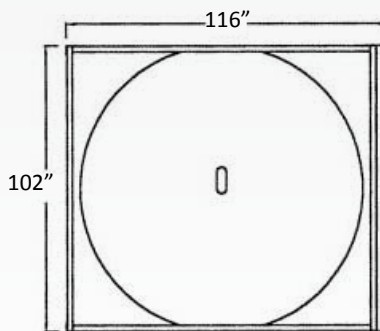
**COMMON USES:** *Stationary storage of potable water for offshore and land-based jobs*

## SPECIFICATIONS

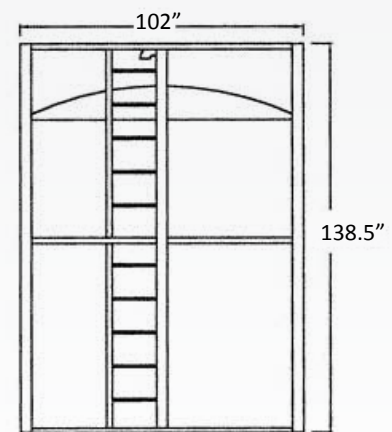
- Forklift from two sides
- Lays flat for easy transport
- Top is accessible by ladder
- Ball Valve adapted with your choice of fittings
- 4" Atmospheric Vent
- Lift Empty Only
- External Dimensions:
  - Length: 2,946 mm [116"] [9'8"]
  - Width: 2,591 mm [102"] [8'6"]
  - Height: 3,518 mm [138.5"] [11'6.5"]



**FORKLIFT POCKET SIDE**



**TOP VIEW**



**LADDER SIDE**

***Make it happen.***

[www.TigerOffshoreRentals.com](http://www.TigerOffshoreRentals.com) | 24/7 Dispatch 1.877.844.3791