

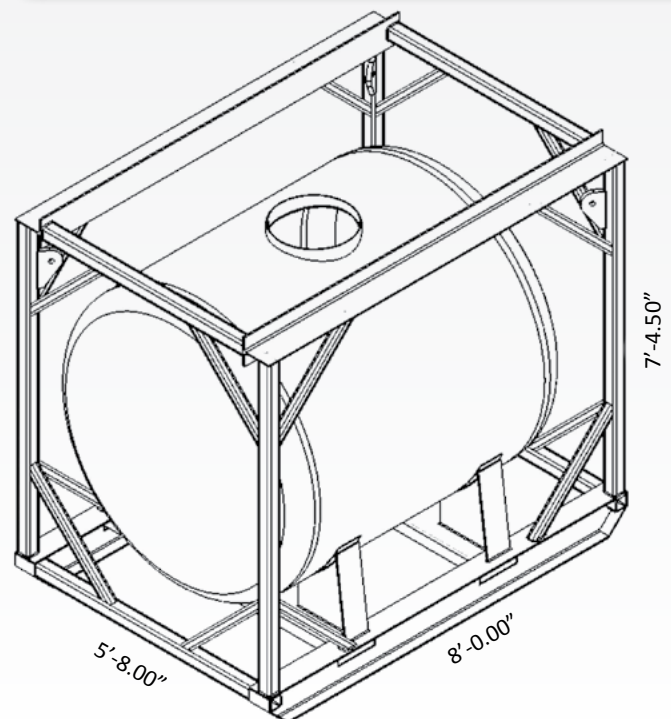
25 BBL MPT (Marine Portable Tank)



COMMON USES: *Secure transportation and storage of drilling, production and completion fluids as well as fuel, waste or other similar liquids.*

SPECIFICATIONS

- Tank Shell 5/16". Sa-36 plate, GR70, and tank mounting of 3/8 inch steel. 2.5" PRV vent (31 PSI) with 2" Zook Flange mounted burst plate, 20 inch manway, 3 inch male camlock with cap. The tank has a steel tubing frame, is stackable and has forklift pockets on both sides.
- Tank is constructed with 5/16", SA-26 plated cylinder, and 5/16" gr 70 PI heads.
- Designed for offshore dynamic lifting in accordance with the provisions of API RP 2A and SEPco document OPS0055.
- Exterior coatings, zinc rich epoxy primer, polyurethane top coat
- Interior coatings, high-build epoxy lining system
- Tank test pressure 39 PSI
- Tank maximum working pressure 25psi/6 in. vacuum
- Tank maximum temperature: 200°
- Pay Load Weight: 20,700 lbs. [9,389 KG]
- Max gross weight:25,000 lbs. [11,340 KG]
- Est Tare weight: 4,300 lbs. [1,950 KG]
- Tank volume: 25 bbl [1,052 gal.]
- Dimensions:
 - Width: 2,438 mm [96"][8']
 - Length: 1,727 mm [68"][5'8"]
 - Height 2,248 mm [88.5"][7'4.5"]
- Built in ladder
- Four point lifting arrangement



Make it happen.

www.TigerOffshoreRentals.com | 24/7 Dispatch 1.877.844.3791